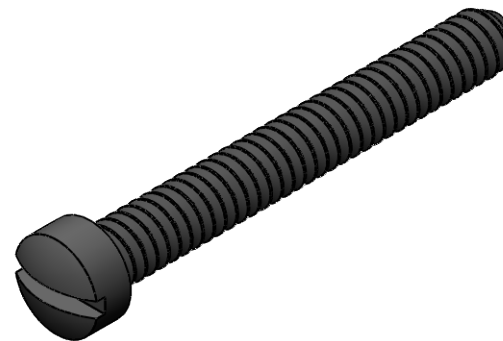
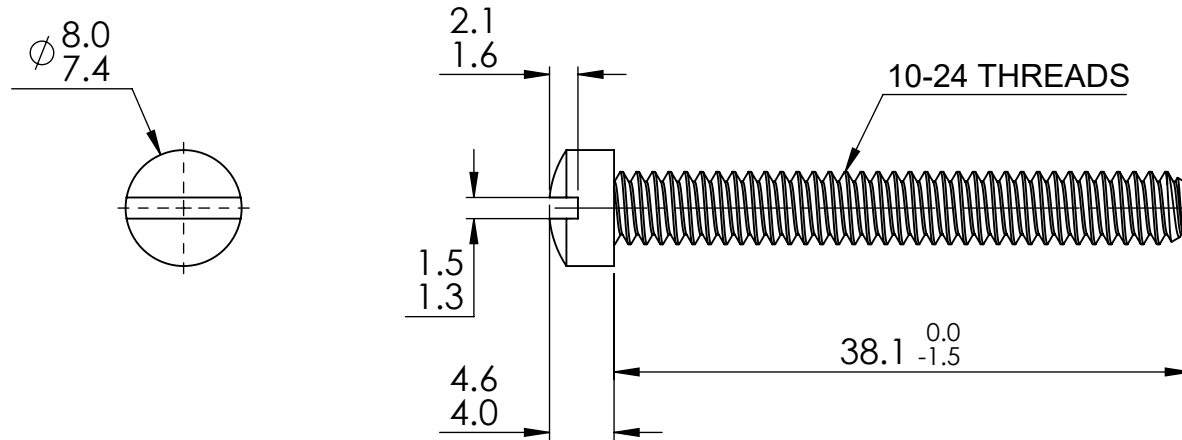
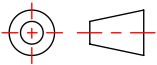


Essentra Components does not warrant that the files will be error free and may create new versions ("Upgrades") at any time, which may correct such errors. Essentra Components has no obligation to notify you of such upgrades. Any upgraded file will be published to the website, when it becomes available.

You are not permitted to load any of the files on to a network server for the purposes of distribution to one or more other computer(s) on that network or to effect such distribution. Essentra Components shall not be liable for any loss or damage whatsoever or however caused, arising directly or indirectly from the use of the files.

UNCONTROLLED COPY



| | | | |
|----------------------------------|------------------|--|------------|
| STATUS | | APPROVED DRAWING | |
| UNLESS OTHERWISE STATED | | | |
| ALL DIMENSIONS IN mm | | DO NOT SCALE | |
| LINEAR TOLERANCE | | THIRD ANGLE PROJECTION | |
| SIZE | (0) (0.0) (0.00) |  | |
| 0-10 | ±0.5 ±0.15 ±0.10 | ANGULAR TOLERANCE ±0.5 DEGREES | |
| >10-30 | ±0.5 ±0.20 ±0.15 | UNSPECIFIED RADII 0.25mm | |
| >30-50 | ±0.5 ±0.30 ±0.20 | DRAFT ANGLE 0.5 DEGREES | |
| >50-100 | ±0.8 ±0.50 ±0.25 | DIMENSIONS IN PARENTHESIS () ARE FOR REFERENCE ONLY | |
| >100-200 | ±1.5 ±0.80 ±0.40 | | |
| >200-300 | ±2.0 ±1.20 ±0.80 | | |
| >300-500 | ±3.0 ±2.00 ±1.00 | | |
| >500 | ±5.0 ±3.00 ±1.50 | | |
| ITEM CODE | 20803032 | CREATE DATE | 20/03/2025 |
| LEGACY CODE | 011024F150B | MATERIAL | PA66 |
| | | COLOUR | BLACK |
| | | FINISH | - |
| TITLE: 1024 X 1 1/2 FILLISTER | | | |
| DWG. No. | | SCALE | ISSUE |
| 20803032 | | 2:1 | 1 |
| | | SHEET | 1 of 2 |

Essentra Components does not warrant that the files will be error free and may create new versions ("Upgrades") at any time, which may correct such errors. Essentra Components has no obligation to notify you of such upgrades. Any upgraded file will be published to the website, when it becomes available.

You are not permitted to load any of the files on to a network server for the purposes of distribution to one or more other computer(s) on that network or to effect such distribution. Essentra Components shall not be liable for any loss or damage whatsoever or however caused, arising directly or indirectly from the use of the files.

UNCONTROLLED COPY

STATUS **APPROVED DRAWING**

UNLESS OTHERWISE STATED

ALL DIMENSIONS IN inches DO NOT SCALE

| LINEAR TOLERANCE | | | THIRD ANGLE PROJECTION |
|------------------|--------|---------|------------------------|
| SIZE | (0.00) | (0.000) | (0.0000) |
| 0 - 0.394 | ±0.020 | ±0.006 | ±0.004 |
| >0.394 - 1.181 | ±0.020 | ±0.008 | ±0.006 |
| >1.181 - 1.969 | ±0.020 | ±0.012 | ±0.008 |
| >1.969 - 3.937 | ±0.031 | ±0.020 | ±0.010 |
| >3.937 - 7.874 | ±0.059 | ±0.031 | ±0.016 |
| >7.874 - 11.811 | ±0.079 | ±0.047 | ±0.031 |
| >11.811 - 19.685 | ±0.118 | ±0.079 | ±0.039 |
| >19.685 | ±0.197 | ±0.118 | ±0.059 |

ANGULAR TOLERANCE ±0.5 DEGREES
 UNSPECIFIED RADII 0.25mm
 DRAFT ANGLE 0.5 DEGREES
 DIMENSIONS IN PARENTHESIS () ARE FOR REFERENCE ONLY

| | | | |
|-------------|-------------|------------|-------------|
| ITEM CODE | 20803032 | 20/03/2025 | CREATE DATE |
| LEGACY CODE | 011024F150B | PA66 | MATERIAL |
| | | BLACK | COLOUR |
| | | - | FINISH |

TITLE:
 1024 X 1 1/2 FILLISTER
 -

| | | | |
|----------|----------|-------|--------|
| DWG. No. | 20803032 | SCALE | ISSUE |
| | | 2:1 | 1 |
| | | SHEET | 2 of 2 |

